



## **Hand towed Battery Pallet Stacker KBE 1000/2,0**

### **Standard equipment**

- Light duty application
- Hand towed and Battery powered Lifting/Lowering
- Capacity – **1000 kg**
- Lifting height – **2,0 m**
- DC pump motor – 2 kW
- Traction Battery 2x12V/90 Ah C5
- Automatic on-board charger 24V/15 A
- Battery discharge indicator
- Load backrest
- Steering device
- Castor wheels – Polyurethane (right Drive side – with brake)
- Load side - Tandem rollers Polyamide/ as standard
- Robust Two stage mast with central cylinder

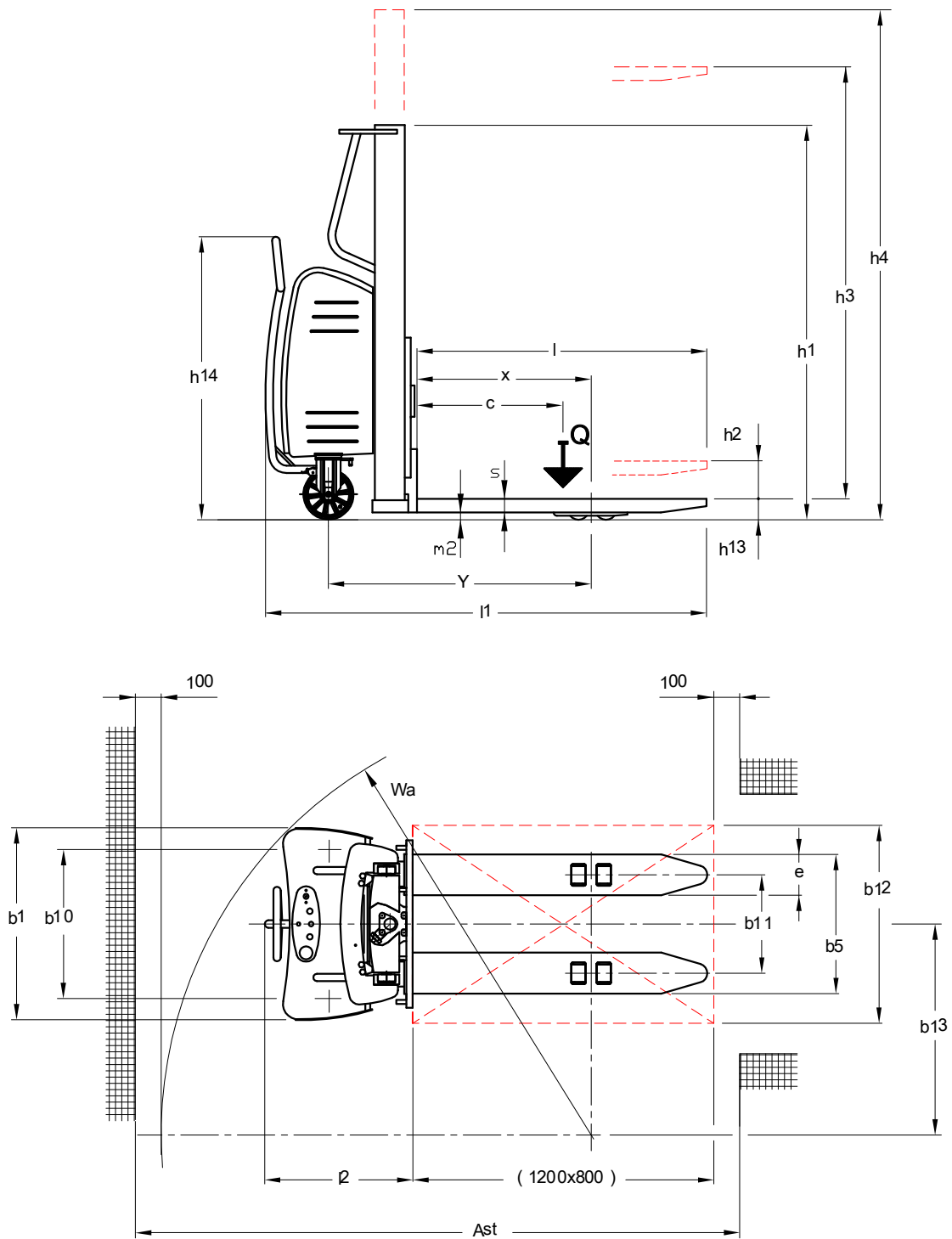
### **Optional equipment**

- Modified Chassis (Straddle legs version)

## Hand towed Battery Operated Pallet Stacker KBE 1000/2,0

Type sheet for industrial Trucks according to VDI 2198

|                 |                         | <b>VENI</b>                                      |                                 |        |                          |
|-----------------|-------------------------|--|---------------------------------|--------|--------------------------|
| Characteristics | 1.1                     | Manufacturer                                     |                                 |        | <b>KBE 1000/2,0</b>      |
|                 | 1.2                     | Manufacturer's type designation                  |                                 |        | Battery                  |
|                 | 1.3                     | Power unit                                       |                                 |        | Hand towed               |
|                 | 1.4                     | Operation  |                                 |        | Battery lifting/lowering |
|                 | 1.5                     | Load capacity                                    | Q                               | (kg)   | <b>1000</b>              |
|                 | 1.6                     | Load centre                                      | c                               | (mm)   | 600                      |
|                 | 1.8                     | Axle centre to fork face                         | x                               | (mm)   | 690                      |
|                 | 1.9                     | Wheelbase  | y                               | (mm)   | 1088                     |
|                 | Weight                  | 2.1  | Service weight incl. battery    |        | (kg)                     |
|                 |                         |  |                                 |        |                          |
| Wheels/tyres    | 3.1                     | Tyres front/rear (Polyurethane/PU, Polyamide/PA) |                                 |        | PU/PA                    |
|                 | 3.2                     | Tyre size, front                                 |                                 | (mm)   | D 200x50                 |
|                 | 3.3                     | Tyre size, rear                                  |                                 | (mm)   | D 82x70                  |
|                 | 3.5                     | Wheels, number front / rear (x=driven)           |                                 | (mm)   | 2/4                      |
|                 | 3.6                     | Track width, front                               | b <sub>10</sub>                 | (mm)   | 688                      |
|                 | 3.7                     | Track width, rear                                | b <sub>11</sub>                 | (mm)   | 400                      |
|                 |                         |  |                                 |        |                          |
| Dimensions      | 4.2                     | Height, mast lowered                             | h <sub>1</sub>                  | (mm)   | 1560                     |
|                 | 4.3                     | Free lift  | h <sub>2</sub>                  | (mm)   | 120                      |
|                 | 4.4                     | Lift   | h <sub>3</sub>                  | (mm)   | 1910                     |
|                 | 4.5                     | Height, mast extended                            | h <sub>4</sub>                  | (mm)   | 2460                     |
|                 | 4.9                     | Height of tiller in drive position min./max.     | h <sub>14</sub>                 | (mm)   | 1160                     |
|                 | 4.15                    | Fork height, lowered                             | h <sub>13</sub>                 | (mm)   | 90                       |
|                 | 4.151                   | Fork height, lifted                              | h <sub>3</sub> +h <sub>13</sub> | (mm)   | 2000                     |
|                 | 4.19                    | Overall length                                   | l <sub>1</sub>                  | (mm)   | 1800                     |
|                 | 4.20                    | Length to fork face                              | l <sub>2</sub>                  | (mm)   | 650                      |
|                 | 4.21                    | Overall width                                    | b <sub>1</sub>                  | (mm)   | 800                      |
|                 | 4.22                    | Fork dimensions                                  | s/e/l                           | (mm)   | 55/165/1150              |
|                 | 4.25                    | Overall forks width                              | b <sub>5</sub>                  | (mm)   | 560                      |
|                 | 4.32                    | Ground clearance, centre of wheelbase            | m <sub>2</sub>                  | (mm)   | 40                       |
|                 | 4.34                    | Aisle width with pallet 800x1200 mm along forks  | Ast                             | (mm)   | 2410                     |
| 4.35            | Turning radius          | Wa   | (mm)                            | 1700   |                          |
| 4.36            | Internal turning radius | b <sub>13</sub>                                  | (mm)                            | 840    |                          |
| Performance     | 5.2                     | Lifting speed, with/ without load                |                                 | (m/s)  | 0.136/0.160              |
|                 | 5.3                     | Lowering speed, with/ without load               |                                 | (m/s)  | 0.168/0.134              |
|                 |                         |  |                                 |        |                          |
| Drive           | 6.2                     | Lift motor rating S3 15%                         |                                 | (kW)   | 2.0                      |
|                 | 6.4                     | Battery voltage/ rated capacity C5               |                                 | (V/Ah) | 2x12-24/90               |



VDI 2198 - Four wheel Forklift Truck top view,  
reduced load width -  $b_{12} / 2 \leq b_{13}$