



Hand towed Battery Pallet Stacker KBE 1500/3,5

Standard equipment

- Light duty application
- Hand towed and Battery powered Lifting/Lowering
- Capacity – **1500 kg**
- Lifting height – **3,5 m**
- DC pump motor – 2 kW
- Traction Battery 2x12V/90 Ah C5
- Automatic on-board charger 24V/15 A
- Battery discharge indicator
- Load backrest
- Steering device
- Castor wheels – Polyurethane (right Drive side – with brake)
- Load side - Tandem rollers Polyamide/ as standard
- Robust Two stage mast with central cylinder

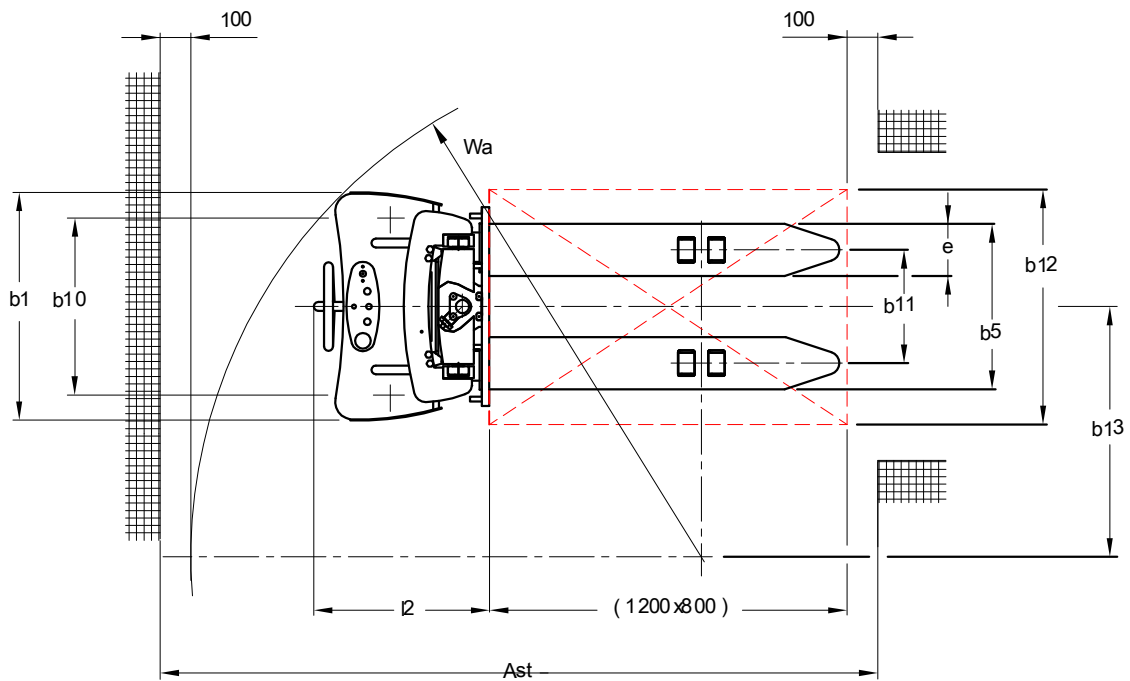
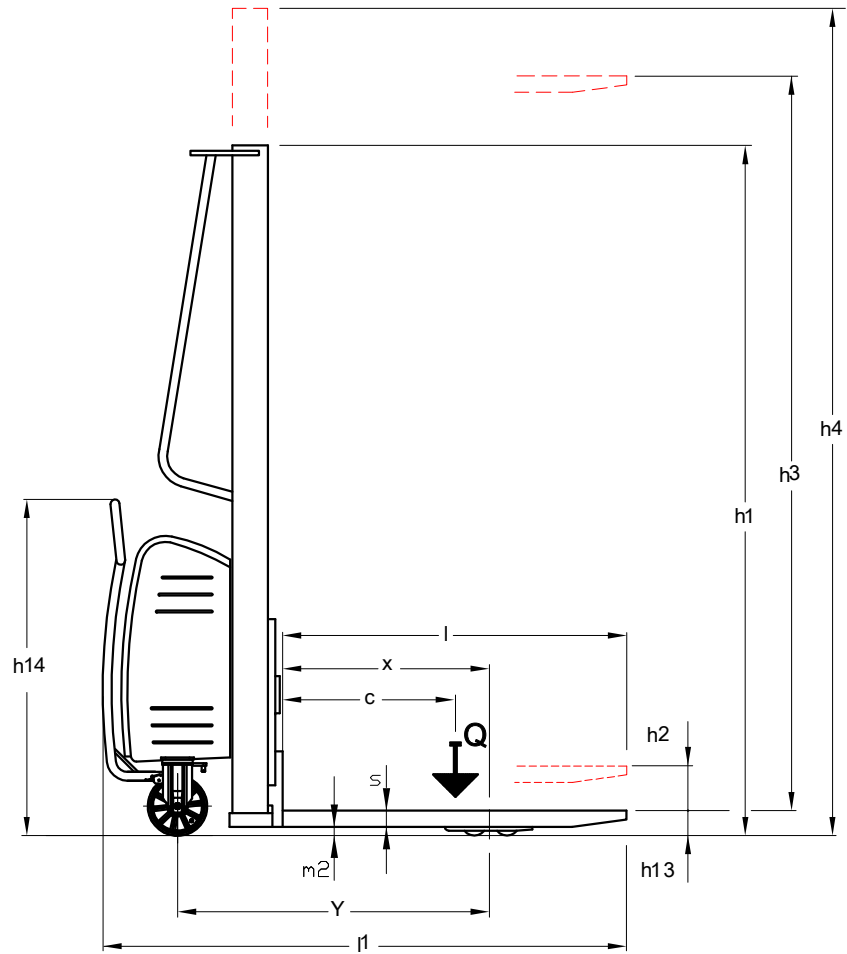
Optional equipment

- Modified Chassis (Straddle legs version)

Hand towed Battery Operated Pallet Stacker KBE 1500/3,5

Type sheet for industrial Trucks according to VDI 2198

		VENI			
Characteristics	1.1	Manufacturer			KBE 1500/3,5
	1.2	Manufacturer's type designation			Battery
	1.3	Power unit			Hand towed
	1.4	Operation			Battery lifting/lowering
	1.5	Load capacity	Q	(kg)	1500
	1.51	Residual capacity	Q_{res}	-	-
		- h ₃ +h ₁₃ =3000 mm	-	(kg)	1500
		- h ₃ +h ₁₃ =3500 mm	-	(kg)	900
	1.6	Load centre	c	(mm)	600
	1.8	Axle centre to fork face	x	(mm)	690
1.9	Wheelbase	y	(mm)	1088	
Weight	2.1	Service weight incl. battery		(kg)	550
Wheels/tyres	3.1	Tyres front/rear (Polyurethane/PU, Polyamide/PA)			PU/PA
	3.2	Tyre size, front		(mm)	D 200x50
	3.3	Tyre size, rear		(mm)	D 82x70
	3.5	Wheels, number front / rear (x=driven)		(mm)	2/4
	3.6	Track width, front	b₁₀	(mm)	688
	3.7	Track width, rear	b₁₁	(mm)	400
Dimensions	4.2	Height, mast lowered	h₁	(mm)	2310
	4.3	Free lift	h₂	(mm)	120
	4.4	Lift	h₃	(mm)	3410
	4.5	Height, mast extended	h₄	(mm)	3955
	4.9	Height of tiller in drive position min./max.	h₁₄	(mm)	1160
	4.15	Fork height, lowered	h₁₃	(mm)	90
	4.151	Fork height, lifted	h₃+h₁₃	(mm)	3500
	4.19	Overall length	l₁	(mm)	1800
	4.20	Length to fork face	l₂	(mm)	650
	4.21	Overall width	b₁	(mm)	800
	4.22	Fork dimensions	s/e/l	(mm)	55/175/1150
	4.25	Overall forks width	b₅	(mm)	560
	4.32	Ground clearance, centre of wheelbase	m₂	(mm)	35
	4.34	Aisle width with pallet 800x1200 mm along forks	A_{st}	(mm)	2410
4.35	Turning radius	W_a	(mm)	1700	
4.36	Internal turning radius	b₁₃	(mm)	840	
Performance	5.2	Lifting speed, with/ without load		(m/s)	0.102/0.130
	5.3	Lowering speed, with/ without load		(m/s)	0.112/0.02
Drive	6.2	Lift motor rating S3 15%		(kW)	2.0
	6.4	Battery voltage/ rated capacity C5		(V/Ah)	2x12-24/90



VDI 2198 - Four wheel Forklift Truck top view,
reduced load width - $b_{12} / 2 \leq b_{13}$