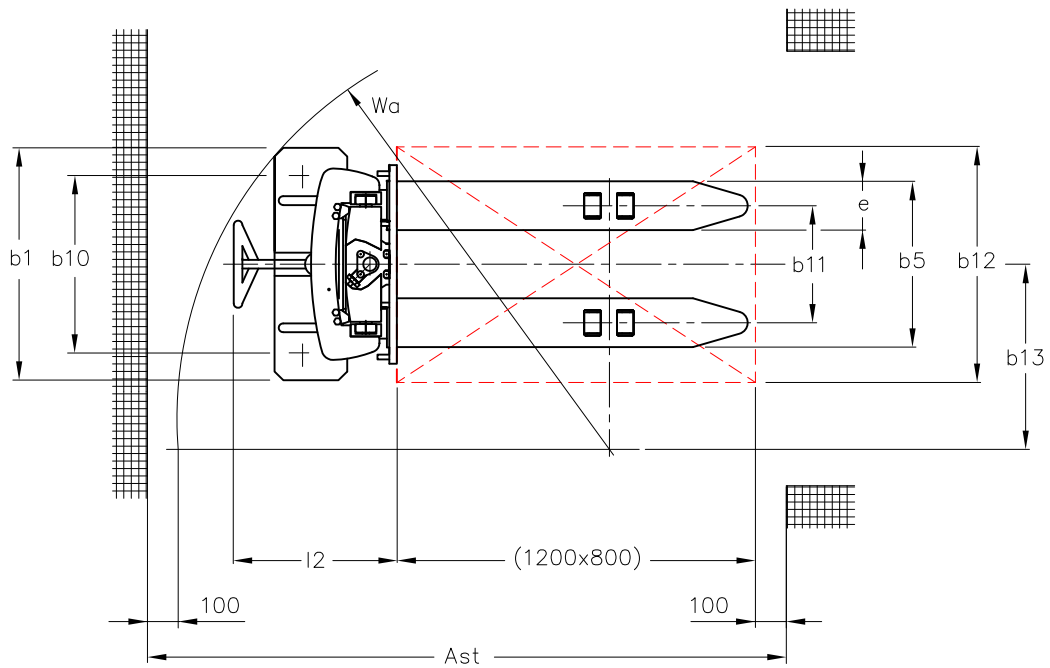
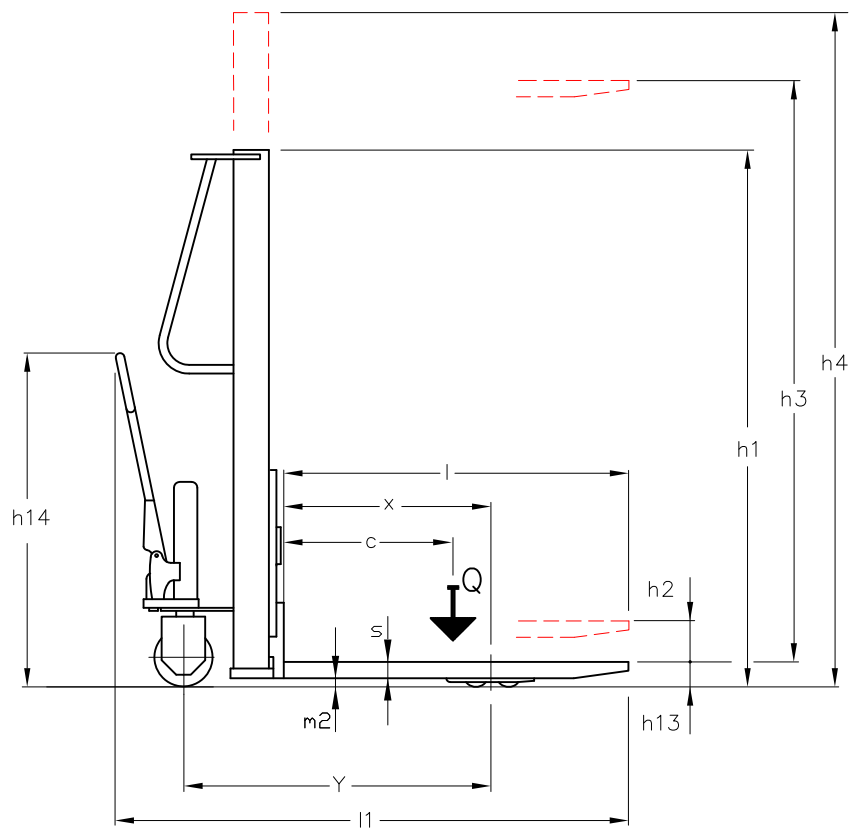


Hand Operated Pallet Stacker KBX 1000/2,5

Type sheet for industrial Trucks according to VDI 2198

Characteristics	1.1	Manufacturer			VENI	
	1.2	Manufacturer's type designation			KBX 1000/2,5	
	1.4	Operation			Hand towed Manual Lifting/Lowering	
	1.5	Load capacity	Q	(kg)	1000	
	1.6	Load centre	c	(mm)	600	
	1.8	Axle centre to fork face	x	(mm)	690	
	1.9	Wheelbase	y	(mm)	1060	
	Weight	2.1	Service weight incl. battery		(kg)	320
Wheels/tyres	3.1	Tyres front/rear Polyurethane (PU) , Polyamide (PA)			PU/PA	
	3.2	Tyre size, front		(mm)	D 200x50	
	3.3	Tyre size, rear		(mm)	D 82x70	
	3.5	Wheels, number front / rear (x=driven)		(mm)	2/4	
	3.6	Track width, front	b ₁₀	(mm)	688	
	3.7	Track width, rear	b ₁₁	(mm)	400	
Dimensions	4.2	Height, mast lowered	h ₁	(mm)	1810	
	4.3	Free lift	h ₂	(mm)	120	
	4.4	Lift	h ₃	(mm)	2410	
	4.5	Height, mast extended	h ₄	(mm)	2955	
	4.9	Height of tiller in drive position min./max.	h ₁₄	(mm)	1160	
	4.15	Fork height, lowered	h ₁₃	(mm)	90	
	4.151	Fork height, lifted	h ₃ +h ₁₃	(mm)	2500	
	4.19	Overall length	l ₁	(mm)	1800	
	4.20	Length to fork face	l ₂	(mm)	650	
	4.21	Overall width	b ₁	(mm)	800	
	4.22	Fork dimensions	s/e/l	(mm)	55/165/1150	
	4.25	Overall forks width	b ₅	(mm)	560	
	4.32	Ground clearance, centre of wheelbase	m ₂	(mm)	40	
	4.34	Aisle width with pallet 800x1200 mm along forks	Ast	(mm)	2410	
	4.35	Turning radius	Wa	(mm)	1700	
	4.36	Internal turning radius	b ₁₃	(mm)	840	



VDI 2198 - Four wheel Forklift Truck top view,
reduced load width - $b_{12} / 2 \leq b_{13}$