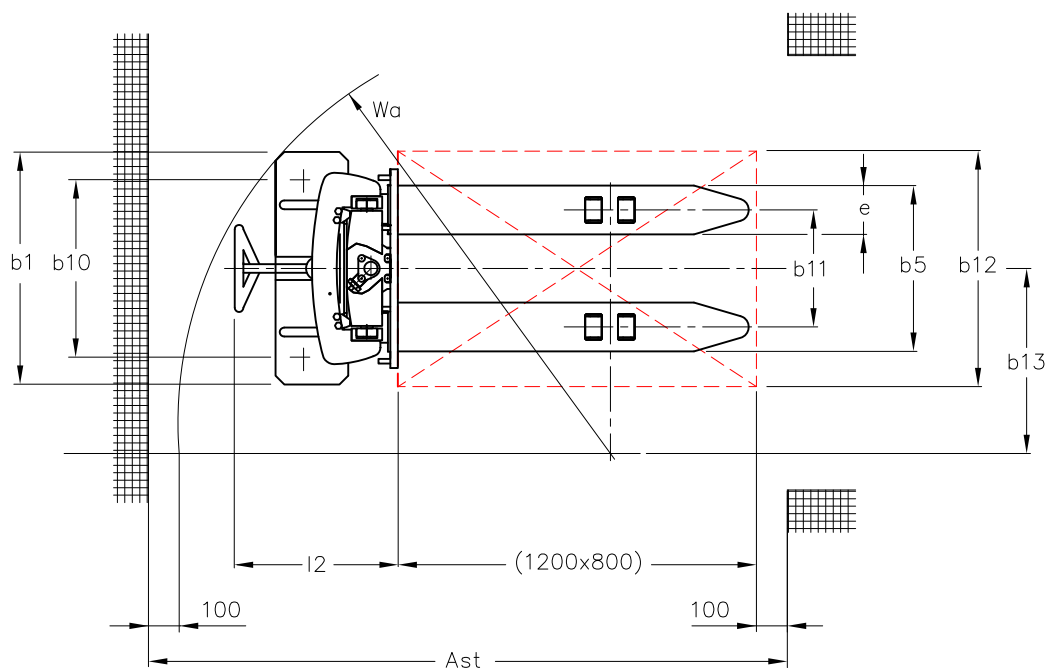
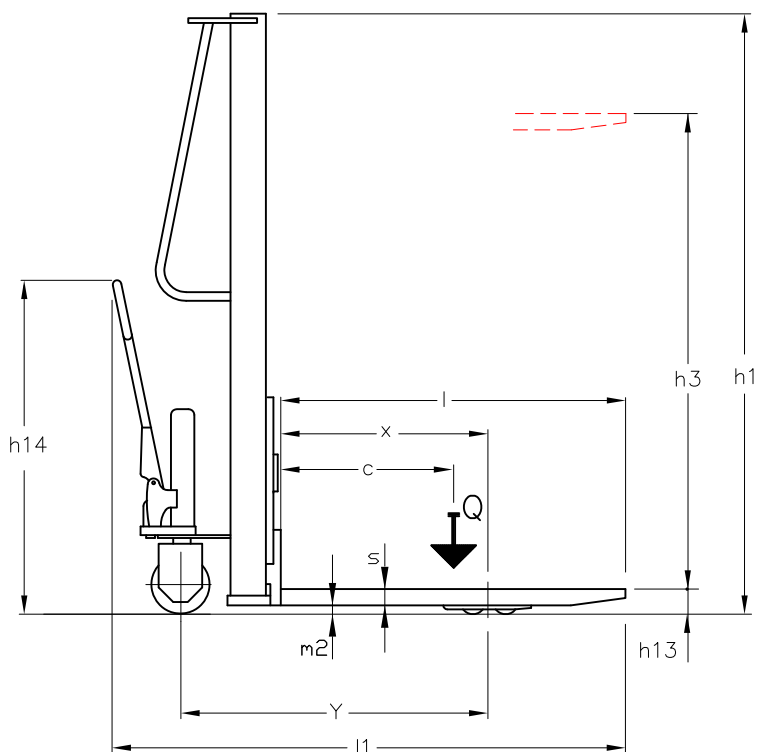


Hand Operated Pallet Stacker KBX 1500/1,6

Type sheet for industrial Trucks according to VDI 2198

		VENI			
Characteristics	1.1	Manufacturer			KBX 1500/1,6
	1.2	Manufacturer's type designation			Hand towed
	1.4	Operation			Manual Lifting/Lowering
	1.5	Load capacity	Q	(kg)	1500
	1.6	Load centre	c	(mm)	600
	1.8	Axle centre to fork face	x	(mm)	690
	1.9	Wheelbase	y	(mm)	1060
Weight	2.1	Service weight incl. battery		(kg)	260
Wheels/tyres	3.1	Tyres front/rear Polyurethane (PU) , Polyamide (PA)			PU/PA
	3.2	Tyre size, front		(mm)	D 200x50
	3.3	Tyre size, rear		(mm)	D 82x70
	3.5	Wheels, number front / rear (x=driven)		(mm)	2/4
	3.6	Track width, front	b₁₀	(mm)	688
	3.7	Track width, rear	b₁₁	(mm)	400
Dimensions	4.2	Height, mast lowered	h₁	(mm)	1990
	4.3	Free lift	h₂	(mm)	-
	4.4	Lift	h₃	(mm)	1510
	4.5	Height, mast extended	h₄	(mm)	-
	4.9	Height of tiller in drive position min./max.	h₁₄	(mm)	1160
	4.15	Fork height, lowered	h₁₃	(mm)	90
	4.151	Fork height, lifted	h₃+h₁₃	(mm)	1600
	4.19	Overall length	l₁	(mm)	1800
	4.20	Length to fork face	l₂	(mm)	650
	4.21	Overall width	b₁	(mm)	800
	4.22	Fork dimensions	s/e/l	(mm)	55/165/1150
	4.25	Overall forks width	b₅	(mm)	560
	4.32	Ground clearance, centre of wheelbase	m₂	(mm)	40
	4.34	Aisle width with pallet 800x1200 mm along forks	Ast	(mm)	2410
	4.35	Turning radius	Wa	(mm)	1700
	4.36	Internal turning radius	b₁₃	(mm)	840



VDI 2198 - Four wheel Forklift Truck top view,
reduced load width - $b_{12} / 2 \leq b_{13}$