

↕ IRION LANCER → JUMBO

bulmor
strong sideloader solutions



Technical
Information

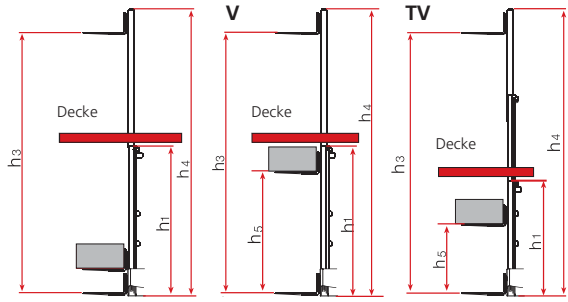
**Sideloader
DQ 60-80**



Stage V
internal
warehouse
use

www.bulmor.com

Sideloader DQ 60-80



Mast Matrix Sideloaders 6 to. & 7-8 to.
mast fully lowered, mast fully extended, free lift

DQ 60 // DQ 70-80 *

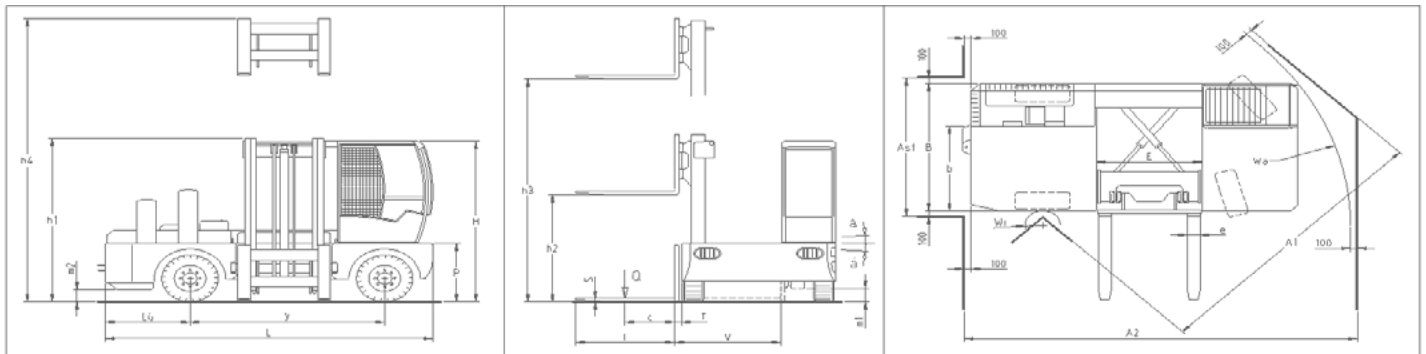
	Lift height (h3)	Height lowered (h1)	Height extended (h4) **	Free lift (h5) **
Duplex-Mast without freelif	4000	2890	4970 // 5140	0
	4500	3140	5470 // 5640	0
	5000	3390	5970 // 6140	0
	5500	3640	6470 // 6640	0
	6000	3890	6970 // 7140	0
Duplex- Freelif-Mast	4000	2940 // 2950	4970 // 5140	1970 // 1810
	4500	3190 // 3200	5470 // 5640	2220 // 2060
	5000	3440 // 3450	5970 // 6140	2470 // 2310
	5500	3690 // 3700	6470 // 6640	2720 // 2560
	6000	3940 // 3950	6970 // 7140	2970 // 2810
Triplex-Mast	4500	2540 // 2550	5470 // 5640	1570 // 1410
	5000	2700 // 2710	5970 // 6140	1730 // 1570
	5500	2870 // 2880	6470 // 6640	1900 // 1740
	6000	3040 // 3050	6970 // 7140	2070 // 1910
	6500	3200 // 3210	7470 // 7640	2230 // 2070
	7000	3370 // 3380	7970 // 8140	2400 // 2240
	7500	3540 // 3550	8470 // 8640	2570 // 2410
8000	3700 // 3710	8970 // 9140	2730 // 2570	

* ... and identical types in construction

** ... with standard carriage

LIFTING CAPACITY DQ 60 // DQ 70 // DQ 80

Platform width (mm)	Lift height (mm)								
	4	4,5	5	5,5	6	6,5	7	7,5	8
1200	6000/7000/8000	5740/6730/7690	5470/6410/7320	5200/6100/6970	4950/5800/6630	4700/5520/6300	4470/5240/5980	4240/4980/5680	4020/4720/5390
1400	6000/7000/8000	5810/6810/7780	5530/6490/7410	5270/6180/7050	5010/5880/6710	4760/5590/6380	4520/5310/6060	4290/5040/5750	4070/4780/5460
1600	6000/7000/8000	5870/6880/7870	5600/6560/7490	5330/6250/7140	5070/5950/6790	4820/5650/6450	4580/5370/6130	4350/5100/5820	4130/4840/5530



Manufacturer specifications and quality characteristics

				Bulmor industries GmbH				
Characteristics	1	Manufacturer						
	2	Type	manufacturer's type designation		DQ 60/14 (12)	DQ 70/14 (12)	DQ 80/14 (12)	
	3	Load capacity	Q	without stabilisers	t	6	7	8
	4	Load centre	c	distance	mm	700 (600)	700 (600)	700 (600)
	5	Power supply	diesel, LPG, electro		diesel			
	6	Type of control	rider controlled					
	7	Tyres	V-solid, L-pneumatic, front/rear		L / L	L / L	L / L	
	8	Wheels	front/rear (X= drive wheels)		2/2X	2/2X	2/2X	
Dimensions	9	Lift	h3	lift height	mm	4000	4000	4000
	10		h2	free lift	mm	none	none	none
	11	Carriage	fork spread		mm	360 - 1420	360 - 1420	400 - 1420
	12	Fork dimensions	W/D/L		mm	60/180/1400 (1200)	60/180/1400 (1200)	60/200/1400 (1200)
	13	Tilt angle	down/up		degree	±3,8°/ (±4,7°)	±3,8°/ (±4,7°)	±3,8°/ (±4,7°)
	14	Over all dimensions	L	Overall length	mm	4950	4950	4950
	15		B	Overall width	mm	2200 (2000)	2260 (2080)	2280 (2100)
	16		h1	height, mast lowered	mm	2890	2890	2890
	17		h4	height, mast extended	mm	4970	5140	5140
	18		H	overall height cabin	mm	2790	2790	2790
	19		b	platform width	mm	1400 (1200)	1400 (1200)	1400 (1200)
	20	Platform	E	well width	mm	1500	1500	1500
	21		P	platform height	mm	1030*	1030*	1030*
	22	Mast reach	T	fork face standout	mm	100	100	100
	23		V	traverse stroke	mm	1500 (1300)	1500 (1300)	1500 (1300)
	24	Rear overhang	Lü		mm	1320	1320	1320
	25	Turning radius	outer/inner		mm	4600 (4490)/700	4640 (4530)/700	4650 (4540)/700
	26	Aisle width	Ast	for driving straight line	mm	2400 (2200)	2460 (2280)	2480 (2300)
	27		A1	for 90° turning	mm	4320 (4200)	4360 (4250)	4370 (4260)
	28		A2	for 90° turning within aisle	mm	6120 (6010)	6160 (6050)	6170 (6060)
Performance	29	Speed	travel speed with/without load		km/h	20/22	20/22	20/22
	30		lift speed with 80% max. load/without load		m/s	0,35/0,40	0,30/0,35	0,30/0,35
	31		lowering speed with/without load		m/s	0,50/0,30	0,50/0,30	0,50/0,30
	32		traverse speed		m/s	0,30	0,30	0,30
33	Drawbar pull			daN	2550	2550	2550	
34	Gradeability	with/without load		%	14/24	12/22	11/20	
Weight	35	Truck weight	without load		kg	9670 (9510)	10400 (10240)	11120 (11160)
	36	Laden weight	front axle		kg	6650 (6580)	7660 (7590)	8520 (8540)
	37	Laden weight	rear axle		kg	9020 (8930)	9740 (9650)	10600(10620)
Chassis	38	Tyres	number front/rear		Pc.	2/2	2/2	2/2
	39		dimension front			300-15	355/65-15	XZM 355/65-15
	40		dimension rear			300-15	355/65-15	XZM 355/65-15
	41	Wheelbase	y		mm	2900	2900	2900
	42	Track	front/rear		mm	1850/1860 (1650/1660)	1780/1810 (1580/1610)	1780/1810 (1580/1610)
	43	Ground clearance	with load m1 below mast		mm	230	230	230
	44		with load m2 mid wheelbase		mm	175	175	175
45	Service brake	front/rear		hydraulic / hydrostatic				
Transmission	46	Parking brake	rear		electrohydraulic			
	47	Battery			start battery			
	48		voltage/capacity	V/Ah	12/150			
	49	Engine	manufacturer/model		Deutz TCD 3.6 L4 DOC+DPF+SCR Stage V			
	50		max. power to DIN 70020		kW(PS)	74,4 (101)		
	51		at revolutions per min		1/min	2200		
	52		cylinders/displacement (ccm)		4/3600			
	53	Transmission			hydrostatic			
	54	Clutch			infinitely variable			
	55	Standstability			ISO 22915			

Technical changes reserved. * with wooden platform

10.01.2019 Rev.01

**Glued laminated timber
profiles
pipes
steel**

Our machines handle any long
and heavy material.
We offer comfortable and
safe handling of goods.

In the field of sideloaders and multidirectional sideloaders, Bulmor is the specialist in creating perfect solutions for each individual customer. Our products' profound quality coupled with robustness and safety makes us the ideal and reliable business partner.

Our bespoke sideloaders and multidirectional sideloaders are designed and produced in Bulmor's Upper-Austrian headquarters and excel through innovation, customer benefit, durability and great availability. As a matter of course, our machines are operated in the whole world, in different industries, from plastics and timber to concrete and steel applications.



Machinery Tradition since 1879



- Sideloaders
- Multidirectional Sideloaders
- Ground Support Equipment

Head office Austria
Bulmor industries GmbH
Kickenau 1
A-4320 Perg

t +43 7262 58397-0
f +43 7262 52297-11
e info@bulmor.com

Branch office Germany
Bulmor Deutschland GmbH
Hurststraße 2
D-77815 Bühl

Branch office UK
Bulmor Lancer Ltd.
Chartmoor Road
Leighton Buzzard

